

Specification sheet

ROHEVEL-GRT2203

4 ... 20 mA/HART - 2wire, rod and cable probe

Radar sensor for continuous level and interface measurement of liquids



Application area

With ROHEVEL-GRT2203 you can measure aggressive liquids essentially maintenance free. The sensor delivers precise and reliable measured values even in applications with steam, buildup, foam generation or condensation. ROHEVEL-GRT2203 is a truly cost-effective and perfectly adapted solution for your measuring task.

Feature and benefit

■ Twin chips

With two MCU, ROHEVEL-GRT achieves higher processing ability.

■ Multi-Track

Due to new Multi-Track wave tracking algorithm, ROHEVEL-GRT get highest reliability.

■ Waves Memo

Wave management concept. To help understand abnormal output, ROHEVEL-GRT stores wave automatically.

Function

The ROHEVEL-GRT guided radar transmitter is designed for continuous level measuring of conductive or nonconductive liquids and solids. The ROHEVEL-GRT is a "downward-looking" measuring system that functions according to the TDR principle (Time Domain Reflectometry). High frequency microwave impulses are guided along a steel cable or rod. When they reach the product surface, the microwave pulses are reflected and received by the processing electronics. Level distance is directly proportional to the flight time of the pulse.

Technical data

Measuring range

- Cable probe	0 ~ 30 m
- Rod probe	0 ~ 6 m
- Coax probe	0 ~ 3 m

Sample frequency

16Hz

Response time

<2s

Resolution

1mm

Deviation

±2mm

Repeatability

±1.5mm

Frequency

100MHz ~ 1.8GHz

Ambient temperature

-40 °C ~ 70 °C

Process temperature

-40 °C ~ 150 °C

Process pressure

-1.0 kgf/cm² ~ 16 kgf/cm²

Protect level

IP67

Material

The wetted parts of the instrument are made of PFA. The process seal is made of FKM.

Housing versions

The housings are available as double chamber version in plastic, stainless steel or aluminium. They are available with protection ratings up to IP 67 (1 bar).

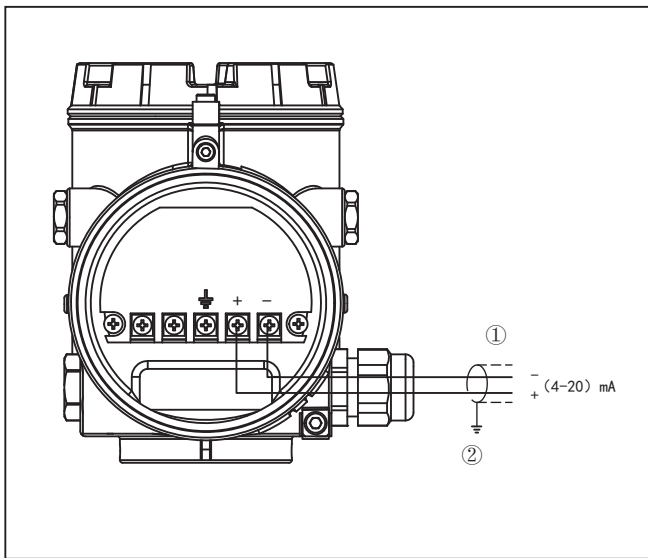
Electronic versions

The instruments are available in different electronics versions. 4 ... 20 mA/HART in two and four-wire version with 24VDC and four-wire with 220VAC.

Operation

The adjustment of the instrument is carried out via the Lcd display, Tank side display and Tank side hub.

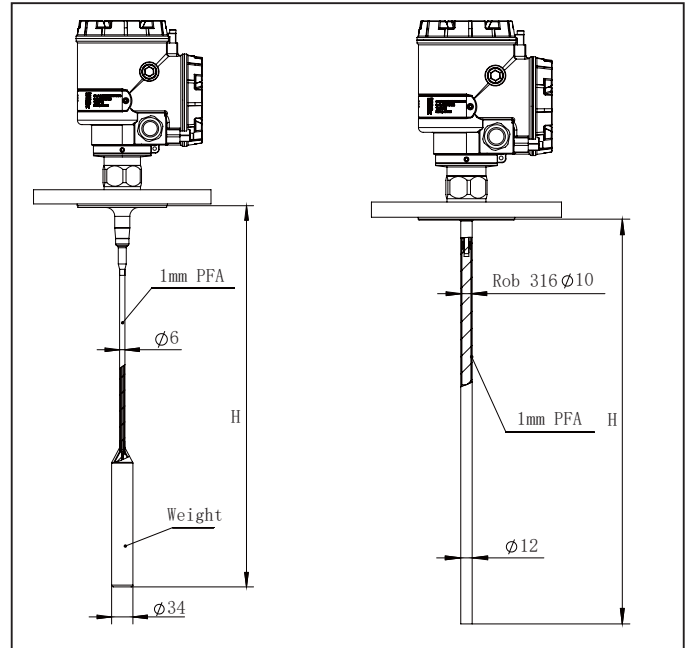
Electrical connection



Electronics and terminal compartment, double chamber housing

- 1 Voltage supply/Signal output
- 2 Ground terminal for connection of the cable screen

Dimensions

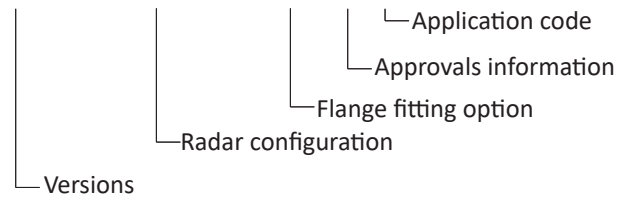


Dimensions ROHEVEL-GRT2203

- 1 Single cable probe
- 2 Single rob probe

How to order

**ROHEVEL-
GRT2203-A2A2XXXXAMF-3FB3AX-A-01B**



Approval

- A None
- B Ex ia IIC T6 Ga
- C Ex d ia [ia Ga] IIC T6 Gb
- D ATEX II 1/2G Ex ia IIC T6
- E ATEX II 1/2G Ex d (ia) IIC T6
- Z Special order

Radar configuration

A 2 A A 2 XXXX A M F

Process fitting

- A thread 1½"
- C Special thread order
- F flange

Process pressure(kgf/cm²)

- L M A B Z
- 1 1 2.5 6 Special order

Process temperature

- A -40 ~ 80°C
- B -40 ~ 150°C

Electrodes length

XXXX in millimeter

Sensor type

- | | | | |
|---|---------------|-----------------------------|---------------|
| 2 | Single cable | Φ6with Anticorrosion layer | 1mm |
| 3 | Single cable | Φ10with Anticorrosion layer | 1mm |
| 4 | Single rob | Φ12with Anticorrosion layer | 1mm |
| 0 | Special order | Special order | Special order |

Interface measurement function

- A None
- B Interface measurement

Tank side display

- A None
- B Tank side display (I²C/50m)
- C Tank side hub (HART/1500m)
- Z Sepcial order

Supply/Communication

- 2 24VDC-2wires/4-20mA HART
- 3 24VDC-4wires/4-20mA HART
- 4 220VAC-4wires/4-20mA HART
- 0 Special order

Housing material

- A Cast alminium
- B Stainless steel
- Z Special order

Flange fitting option

3 F B 3 A X

Counter flange

- X None
- A 304
- B 316L
- C Q235
- Z Special order

Flange material

- A 304
- B 316L
- C Q235
- D PP
- E PTFE
- Z Speical order

Flange surface type

- 2 Solid flange
- 3 RF raised face flange
- 4 FM male and female face flanges
- 5 M male face flanges
- 6 TG tongue and groove face flanges
- 7 FF flat face flange
- 8 RJ ring joint face flanges
- 0 Special order

Flange pressure level

- X Solid flange
- A PN2.5
- B PN10
- C PN16
- D PN25
- E PN40
- F Class150
- G Class300
- H Class600
- I Class900
- Z Special order

Flange sizes

- A 2"(DN50)
- B 3"(DN80)
- C 4"(DN100)
- D 5"(DN125)
- E 6"(DN150)
- F 8"(DN200)
- G 10"(DN250)
- Z Special order

Flange standard

- 2 ANSI B16.5
- 3 EN1092-1
- 4 Solid special flange(8mm)
- 0 Special order